

Voltages measured with standby switch in operate position, no signal input

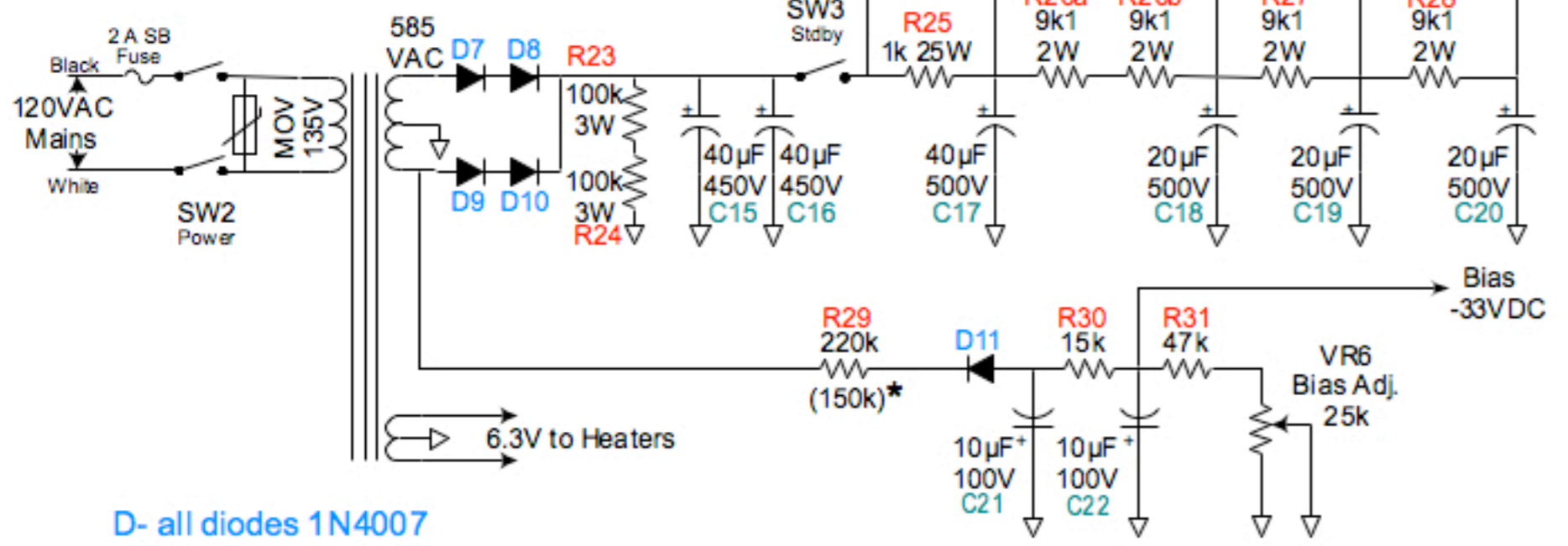
B+1	B+2	B+3	B+4	B+5
395VDC	380VDC	298VDC	282VDC	267VDC

# Trainwreck Express

## Based on the designs of Ken Fischer

### From Kelly '90 schematic with UR12's revisions

Revised 12/4/08



D- all diodes 1N4007

\* May need to change values to achieve correct bias. See:  
 \*\*Francesca has a different and unique Bright switch/cap arrangement  
<http://ampgarage.com/forum/viewtopic.php?t=1338&highlight=express+bias+resistor>

\* Show in many TW schematics as a single 18k2 4W resistor, but usually implemented this way