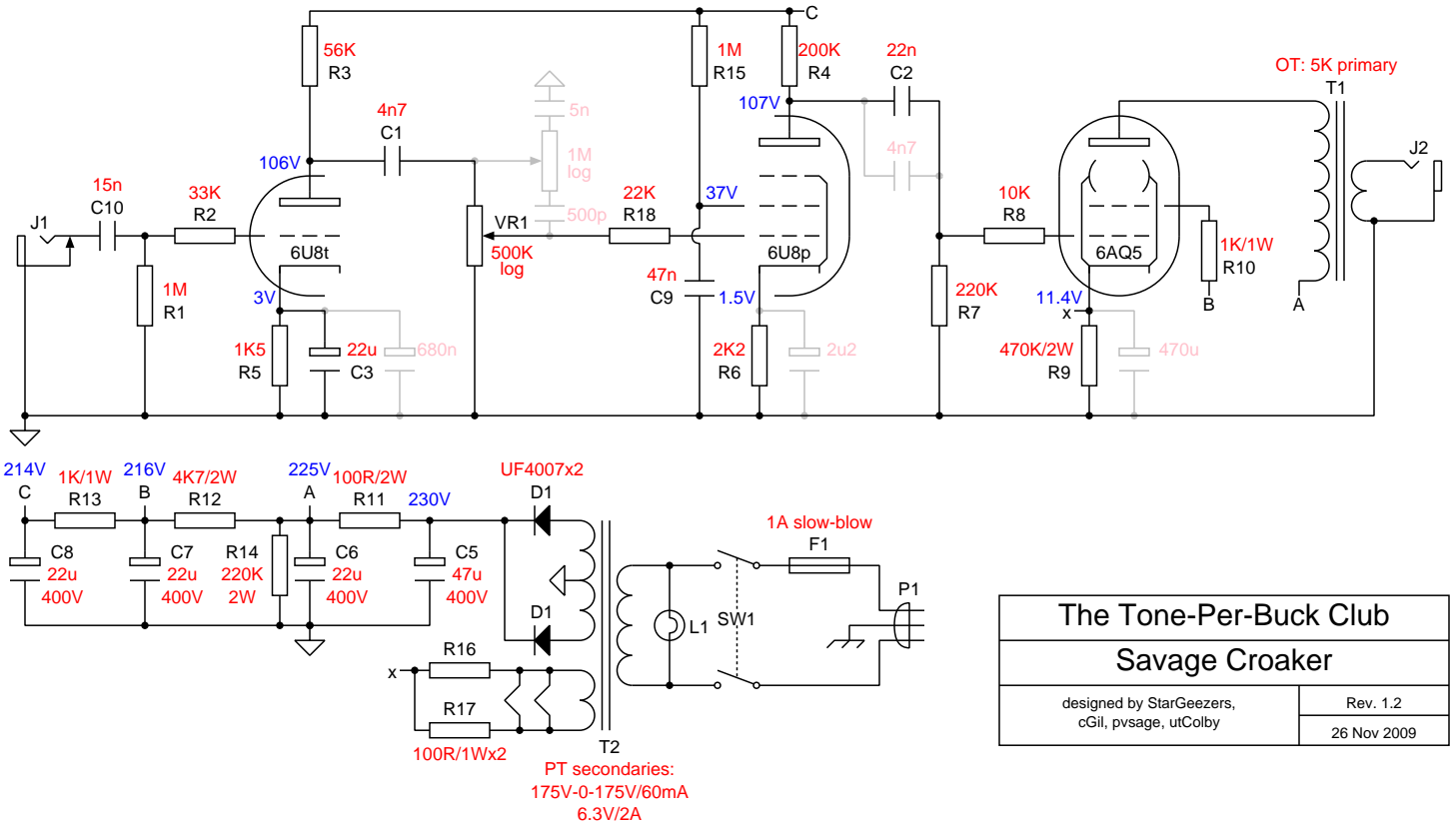


Savage Croaker



The Tone-Per-Buck Club	
Savage Croaker	
designed by StarGeezers, cGil, pvsage, utColby	Rev. 1.2 26 Nov 2009

Build Notes

All greyed-out circuit elements are optional. From left to right, these are:

- "Jedi bypass cap" to improve high-frequency performance
- Tweed tone control for fine-tuning the amp's tonal qualities.
- cathode bypass cap for gain and tone shaping on preamp pentode (may introduce rats)
- Trainwreck-inspired ceramic parallel coupling cap (adjust C2 to increase/decrease "character")
- cathode bypass cap to boost output of power tube (may introduce rats)

The following components may also be unnecessary depending on how you use your amp and the quality of your tubes:

- C10 - This cap keeps DC off your guitar. If your 6U8 triode has no leakage voltage at the grid, you don't need it.
- R18 - This resistor inhibits blocking distortion at the 6U8 pentode control grid.

All other components may be subject to the usual tweaking, which is beyond the scope of this PDF. The prospective builder is encouraged to check online resources for suggested mods in various stages of the amp. Suggested sources:

ax84.com - The projects pages at <http://ax84.com/projects.html> include many complete amps and fragments along with a few tweaks for specific components.

The Valve Wizard website at <http://www.freewebs.com/valvewizard> is a very comprehensive site for designing and building guitar amps from scratch.

wattkins.com - This is the community where the Tone-Per-Buck Club hangs out. Registration is required to access the forums, but is free and open. wattkins.com is one of the friendliest guitar amp building communities on the web.

The Tone-Per-Buck Club is an unofficial disorganization at wattkins.com. All projects associated with the Tone-Per-Buck Club are based on old amp designs that trace their roots to the RCA tube manuals. As such, they are public domain and copyleft. Feel free to use, modify, and redistribute this schematic. For more licensing info refer to the GPL at <http://www.gnu.org/licenses/gpl.html>.