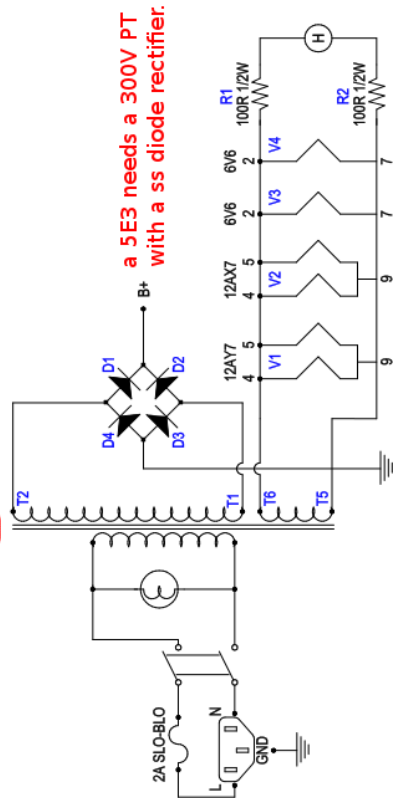
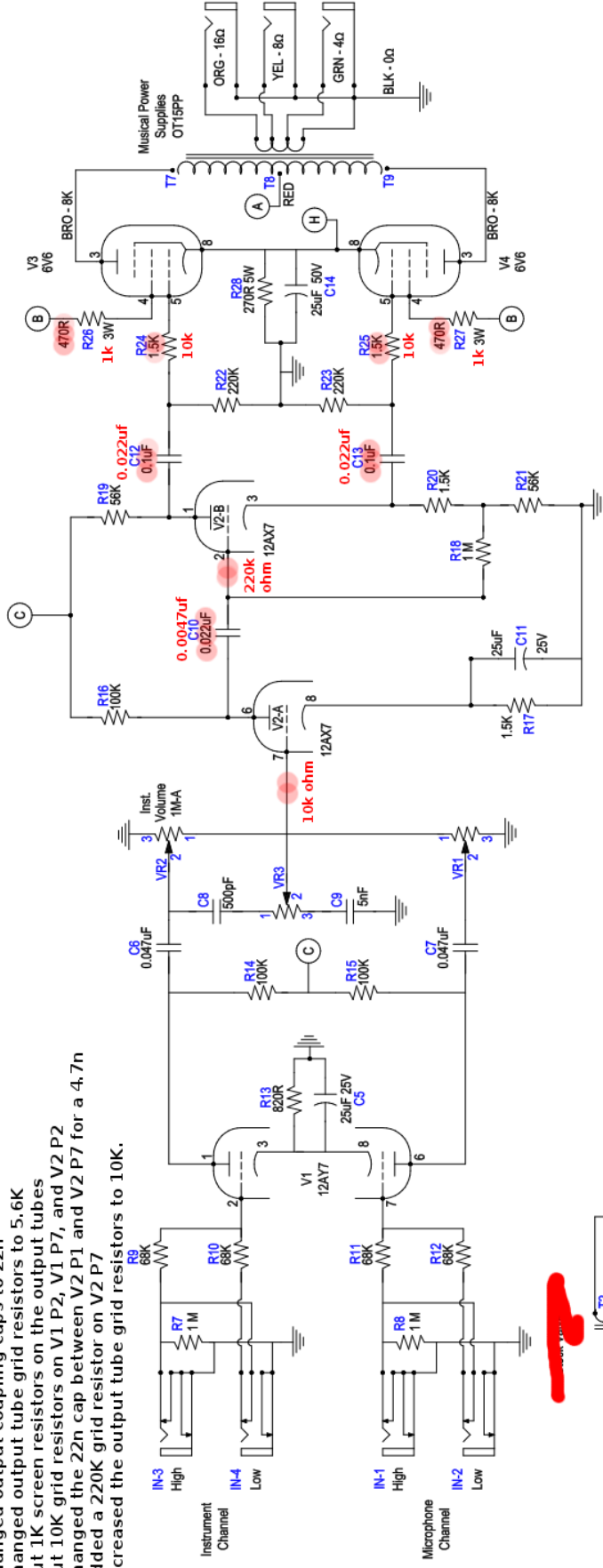
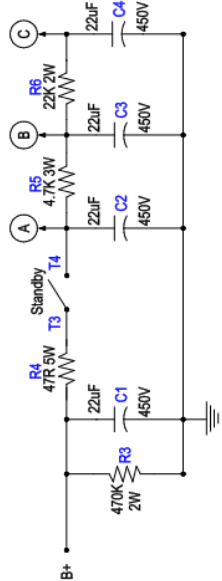


<http://www.mylespaul.com/forums/squawk-box/159635-5e3-cathodyne-pi-improvements.html>

- 1) changed output coupling caps to 22n
- 2) changed output tube grid resistors to 5.6K
- 3) put 1K screen resistors on the output tubes
- 4) put 10K resistors on V1 P2, V1 P7, and V2 P2
- 5) changed the 22n cap between V2 P1 and V2 P7 for a 4.7n
- 6) added a 220K grid resistor on V2 P7
- 7) increased the output tube grid resistors to 10K.



a 5E3 needs a 300V PT  
with a ss diode rectifier.



PPWatt.com	
Tweed 5E3 PCB	
Document Version	4
PCB Versions	3.3
Date	13 September 2009
Revised By	Z. Stingray