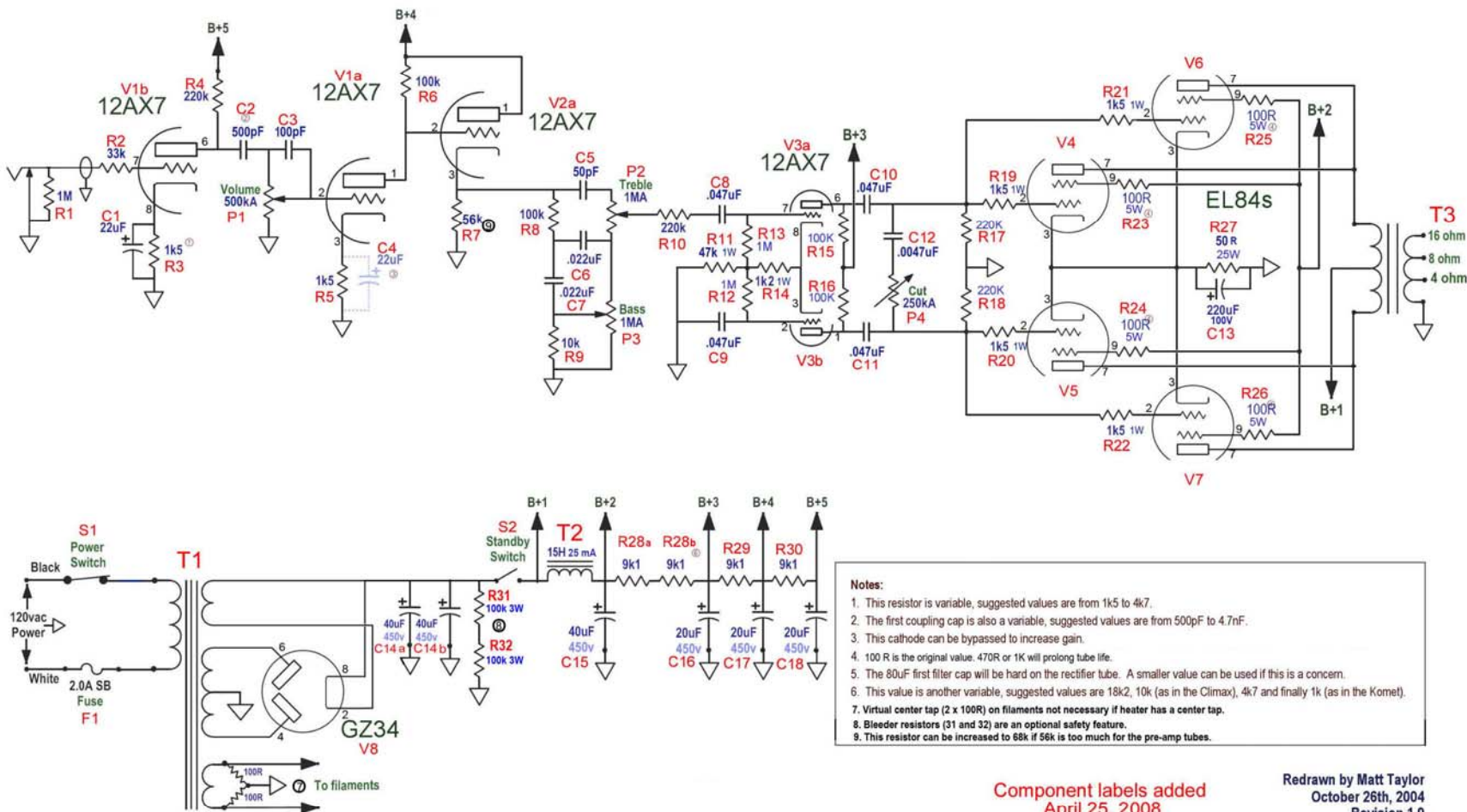


Trainwreck Rocket Version A0

Original drawing of Rocket circuit by Mark Abbott, based on notes taken from cloned amps and given to the twreck forum.



- Notes:
1. This resistor is variable, suggested values are from 1k5 to 4k7.
 2. The first coupling cap is also a variable, suggested values are from 500pF to 4.7nF.
 3. This cathode can be bypassed to increase gain.
 4. 100 R is the original value. 470R or 1K will prolong tube life.
 5. The 80uF first filter cap will be hard on the rectifier tube. A smaller value can be used if this is a concern.
 6. This value is another variable, suggested values are 18k2, 10k (as in the Climax), 4k7 and finally 1k (as in the Komet).
 7. Virtual center tap (2 x 100R) on filaments not necessary if heater has a center tap.
 8. Bleeder resistors (31 and 32) are an optional safety feature.
 9. This resistor can be increased to 88k if 56k is too much for the pre-amp tubes.

Component labels added
April 25, 2008
rj guitars

Schematic modified by
RonWorley and drhulsey
6/5/08

Redrawn by Matt Taylor
October 26th, 2004
Revision 1.0
Questions or comments?
wrecked2k4@yahoo.com