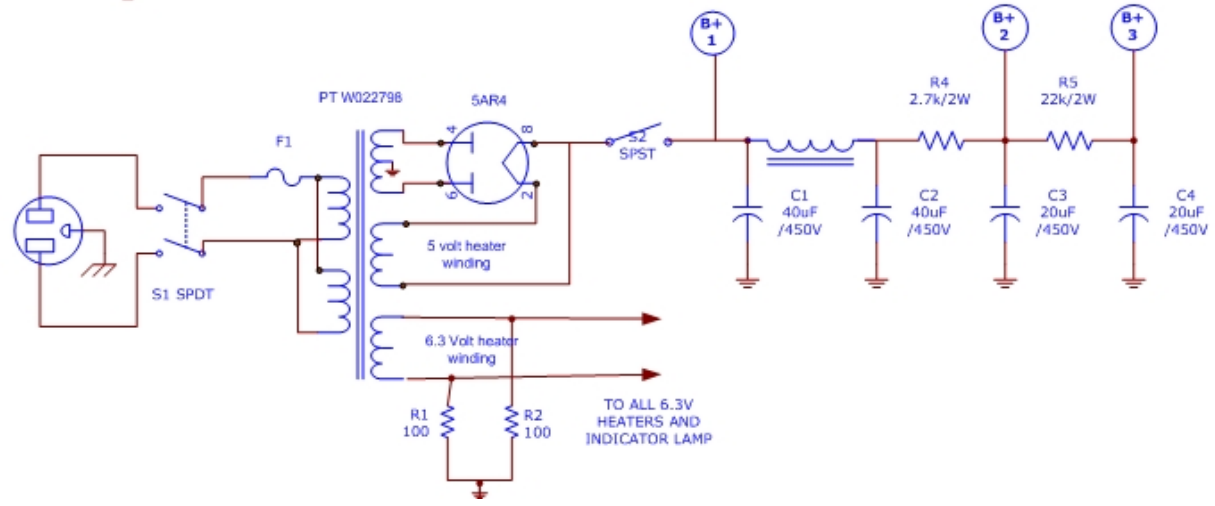
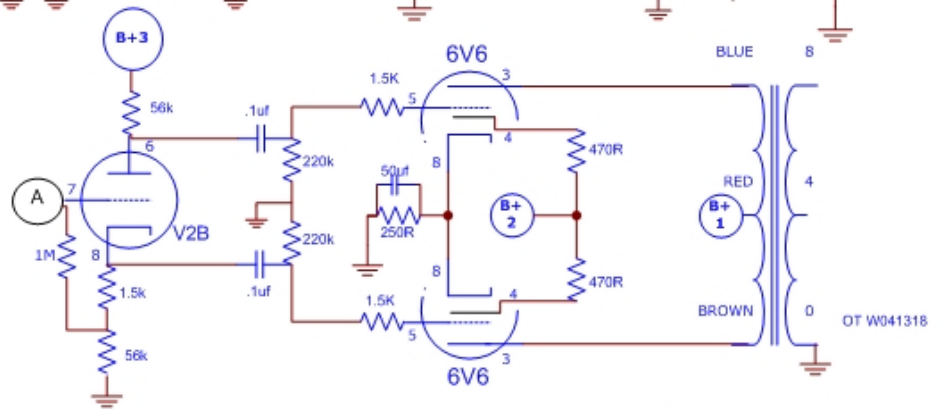


\* or  

 Gives more control  
 over grind and  
 headroom



TNT  
 Two Nob Trainwreck by Rich  
 Gordon  
 Many thanks to the  
 inspirational TW designs of  
 Ken Fisher, originator of the  
 Trainwreck Design