

Tweaker's Table

C7 - 250pf to 500pf "to taste"
switch cap or 82k = bright or thick mode

More Headroom?

R22 = 220K?
R23 = 220K?

C8 - 0.68 or 1uf for humbuckers
up to 2.2uf or so for SC's

SuperliteIIB changes:

- R10 - 100k
- R12 - 680 ohm
- R14 - 100k
- R13 - jumper
- C8 - 0.68 to 2.2uf
- C11 - 0.01uf
- R20 - 100k

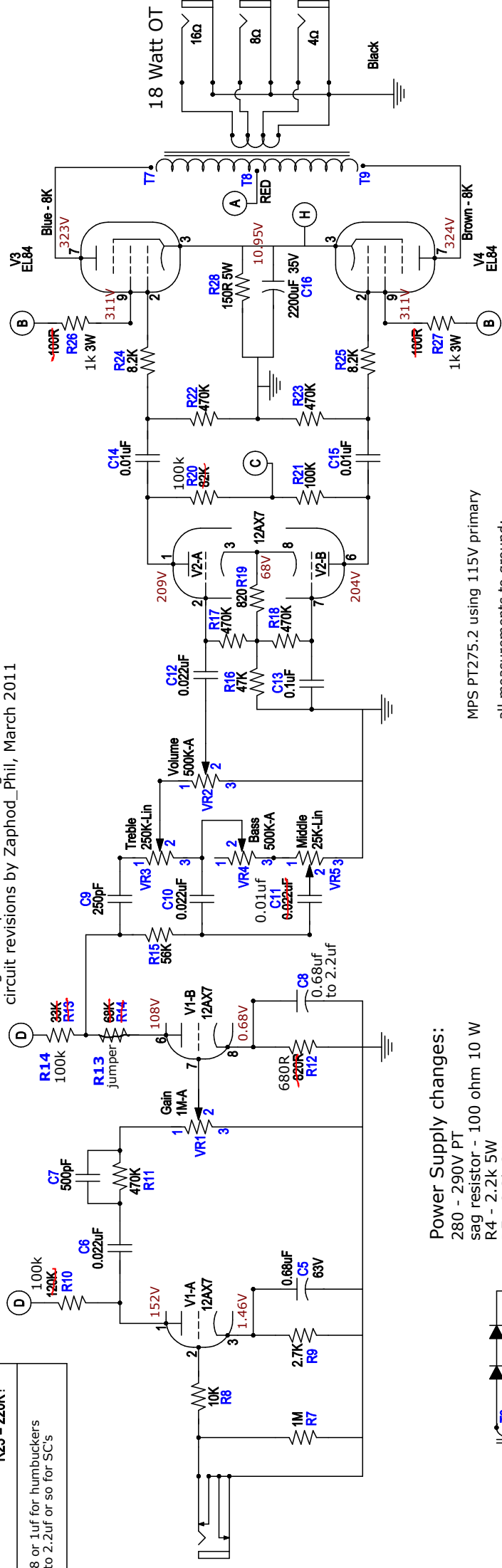
Stinger Tube Audio, LLC

SuperliteIIB

Original Superlite circuit design and current circuit revisions by Zaphod_Phil, March 2011

www.GuitarAmplifierPCBs.com

R26 and R27 - 1k



Power Supply changes:

- 280 - 290V PT
- sag resistor - 100 ohm 10 W
- R4 - 2.2k 5W
- R5 - 8.2k 2W
- R6 - 27k 2W

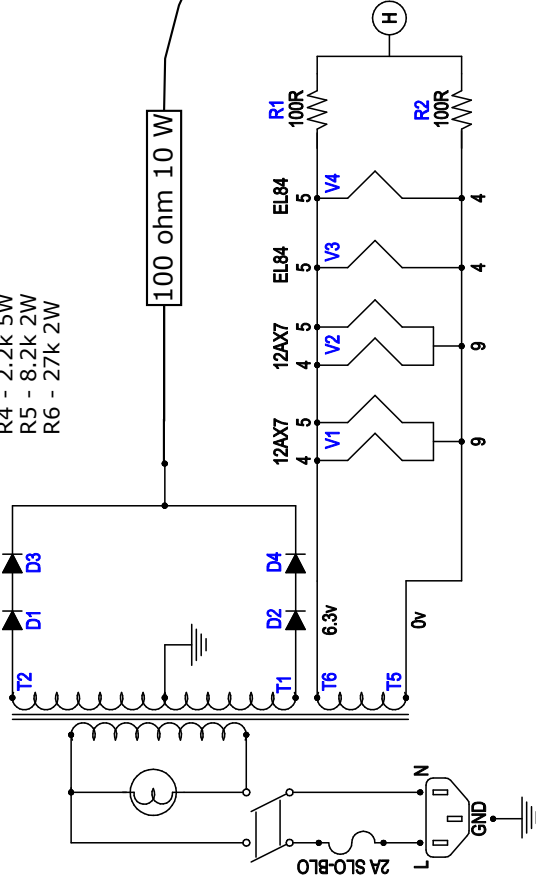
MPS PT275.2 using 115V primary

all measurements to ground:

AC HV is 291V per side to diodes
6.3V @ 2A Heaters give 6.64V AC

- (A) = 342V DC
- (B) = 311V DC
- (C) = 278V DC
- (D) = 208V DC

My voltages are lower than another builder with the same PT. I included them for "ballpark" amp voltages, maybe still about 10V low.
My actual EL84 plate voltage is 312V.



Stinger Tube Audio, LLC	
Document Version	3
PCB Versions	2.7
Date	12 June 2010
Revised By	Terry Stinger

SuperLite II (18 watt)	
Document Version	3
PCB Versions	2.7
Date	12 June 2010
Revised By	Terry Stinger