

Tweaker's Table

C7 - 250pf to 500pf "to taste"
switch cap or 82k = bright or thick mode

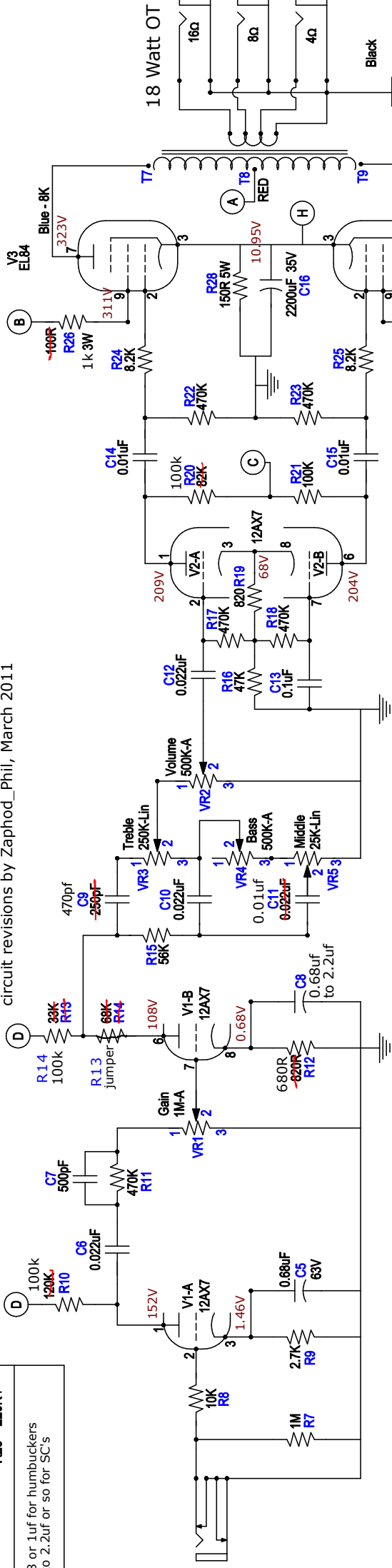
More Headroom?

R22 = 220K?
R23 = 220K?

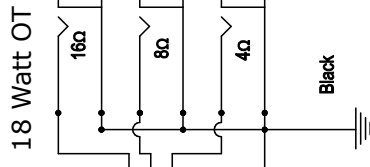
C8 - 0.68 or 1uf for humbuckers
up to 2.2uf or so for SC's

SuperliteIIB changes:

R10 - 100k
R12 - 680 ohm
R14 - 100k
R13 - jumper
C8 - 0.68 to 2.2uf
C11 - 0.01uf
R20 - 100k



R26 and R27 - 1k



Stinger Tube Audio, LLC SuperliteIIB

Original Superlite circuit design and current
circuit revisions by Zaphod_Phil, March 2011

Power Supply changes:

280 - 290V PT
sag resistor - 100 ohm 10 W
R4 - 2.2k 5W
R5 - 8.2k 2W
R6 - 27k 2W

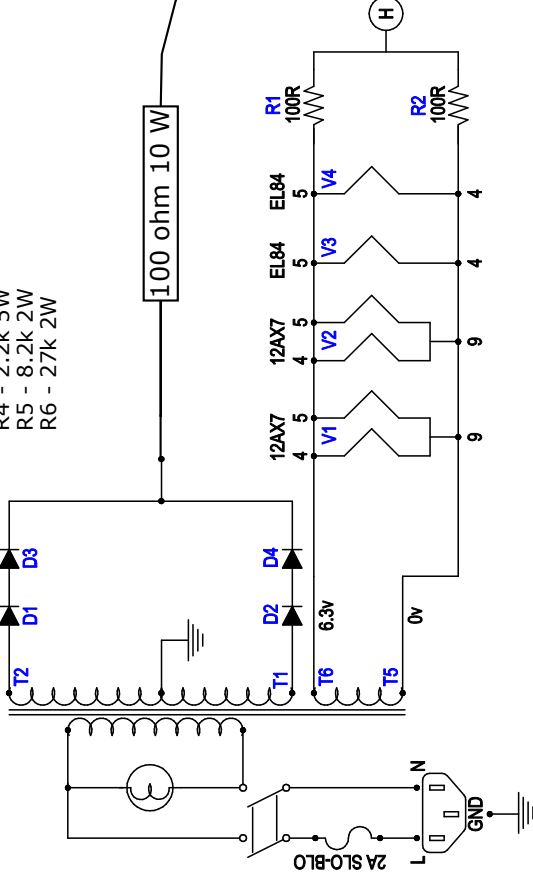
MPS PT275.2 using 115V primary

all measurements to ground:

AC HV is 291V per side to diodes
6.3V @ 2A Heaters give 6.64V AC

(A) = 342V DC
(B) = 311V DC
(C) = 278V DC
(D) = 208V DC

My voltages are lower than another
builder with the same PT. I included
them for "ballpark" amp voltages,
maybe still about 10V low.
My actual EL84 plate voltage is 312V.



Stinger Tube Audio, LLC

SuperLite II (18 watt)

Document Version

3

PCB Versions

2.7

Date

12 June 2010

Revised By

Terry Stinger