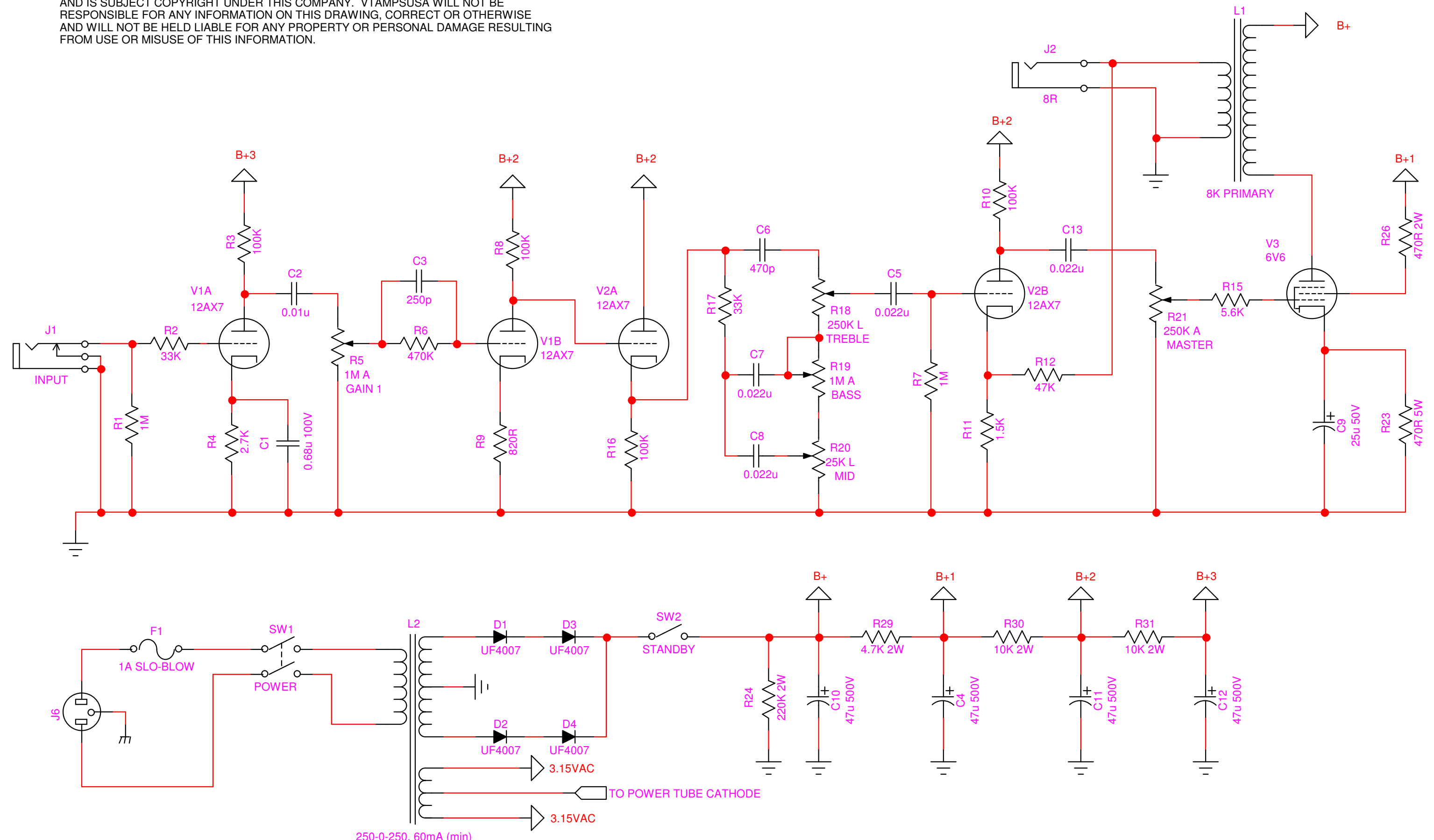


ALL INFORMATION ON THIS DRAWING IS PROPRIETARY TO VTAMPSUSA (Michael. B Knauf) AND IS SUBJECT COPYRIGHT UNDER THIS COMPANY. VTAMPSUSA WILL NOT BE RESPONSIBLE FOR ANY INFORMATION ON THIS DRAWING, CORRECT OR OTHERWISE AND WILL NOT BE HELD LIABLE FOR ANY PROPERTY OR PERSONAL DAMAGE RESULTING FROM USE OR MISUSE OF THIS INFORMATION.



NOTES:
1. ALL RESISTORS 1/2 W UNLESS OTHERWISE SPEC'D.
2. ALL FILM CAPS 400V UNLESS OTHERWISE SPEC'D

DRAWN BY: MBK
DRAWN DATE: 12/04/10
REVISION: A