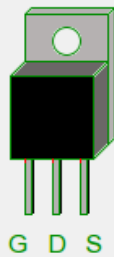
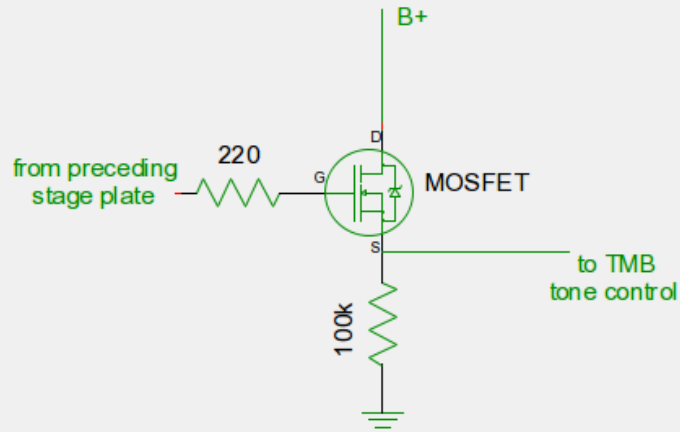
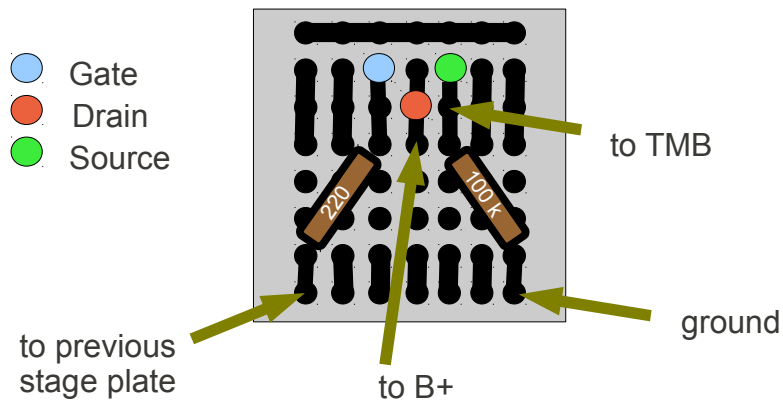


MOSFET Source Follower



IRF820 is overkill

Reference R.G. Keen
MOSFET Follies:
http://www.geofex.com/Article_Folders/mosfet_folly/mosfetfolly.htm
<http://music-electronics-forum.com/t3509/>



made on Radio Shack Catalog # 276-150 perf board