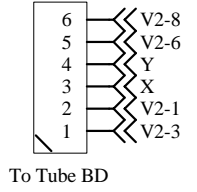
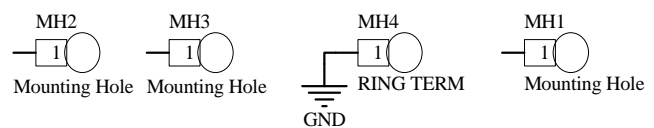
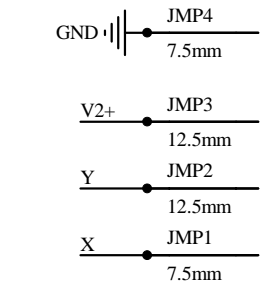
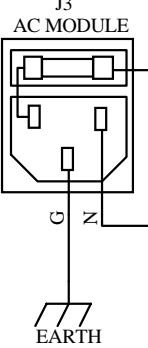
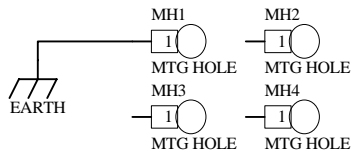
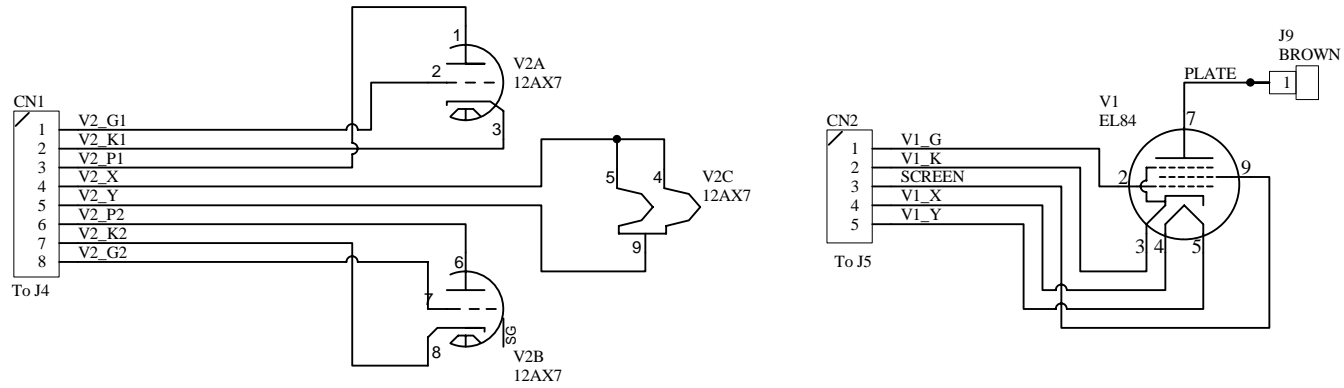


For R9: SOVTEK use 220 OHM  
Shuguang use 270 OHM



120 VAC USE T630 mA Fuse  
240 VAC USE T315 mA Fuse





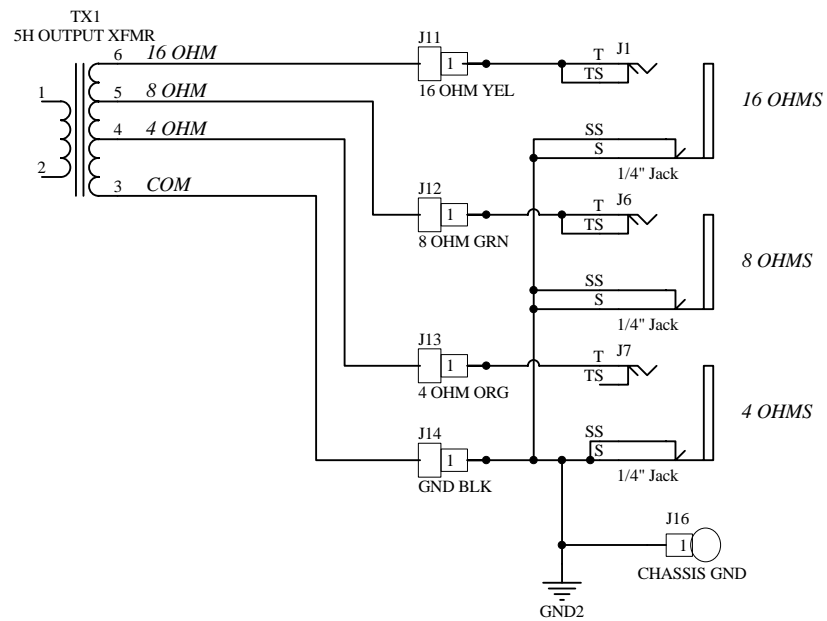
Title: **V5 TUBE BOARD**

Revision: B

Date: 6/6/2011 SHEET 1 of 1 Engineer: J Albert

File: DefenderV5 Tube Board RevB 30Mar2011 JA fc LWJ.SchDoc

*Kustom* Kustom Amplification Inc.  
 3015 Kustom Drive  
 Hebron, KY 41048  
 USA



Title: **DefenderV5 Jack Board**

Revision: A

Date: 6/6/2011 SHEET 1 of 1 Engineer: J Albert

File: DefenderV5 Jack Board RevA 31MAR2011 JA.SchDoc

**Kustom**

Kustom Amplification Inc.  
3015 Kustom Drive  
Hebron, KY 41048  
USA