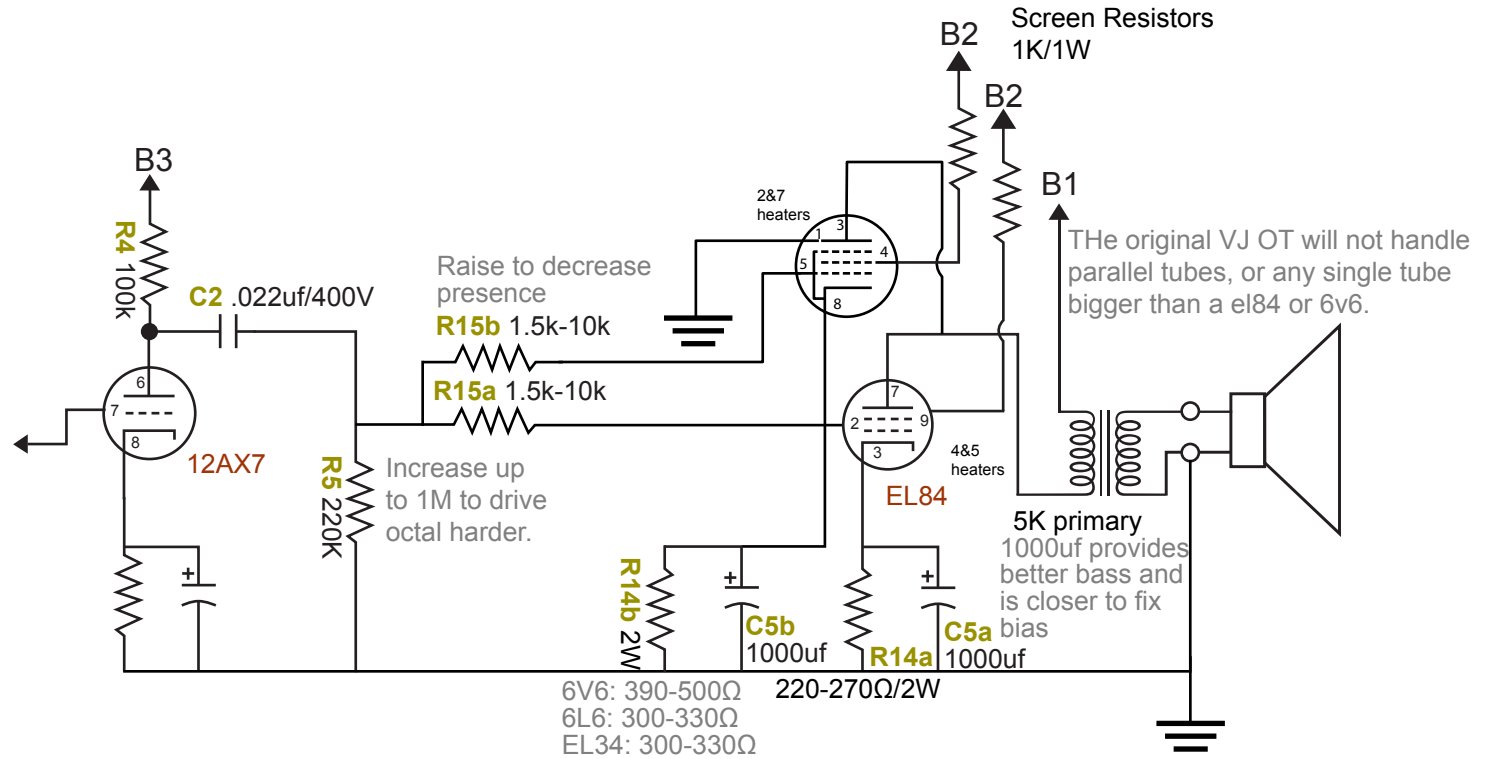


# Octal Mod



R10, R12, & R13 will need tweaked when running EL34, 6L6's, and KT tubes. The resistor values listed are a good starting point.

