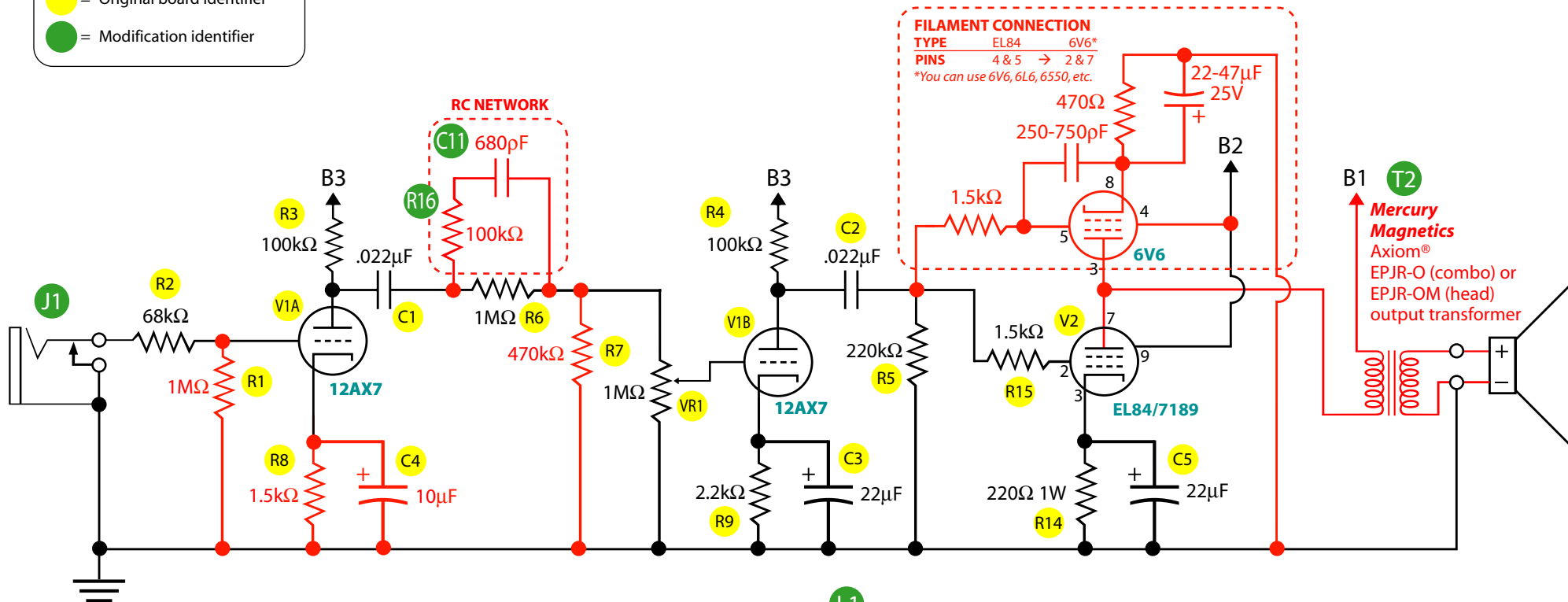




Valve Jr. • Mercury Mod with 6V6

(Alan Cyr / Mercury Magnetics modification • "Version 2 & 3" circuit board designs)

- = Indicates modification
- = Original board identifier
- = Modification identifier



Additional parts needed for 6V6 mod:

1. Tube socket (ceramic if possible)
2. 22μF 25V electrolytic capacitor (axial)
3. 470Ω 2W flame proof resistor
4. 270pF silver mica capacitor
5. 1.5kΩ 1/2W resistor



VERSION: 05-09-06
6V6 REV. 08-27-07

www.MercuryMagnetics.com
www.Amp-Exchange.com

