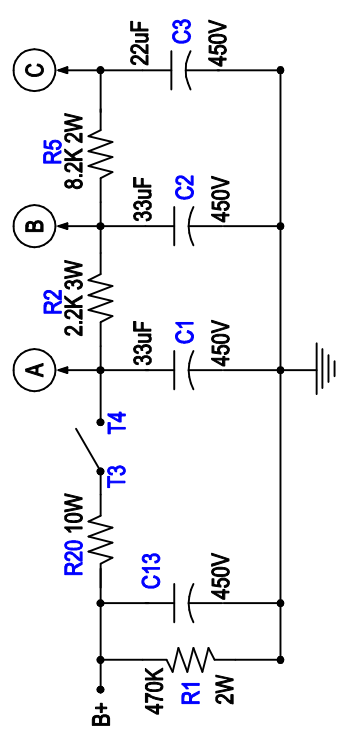
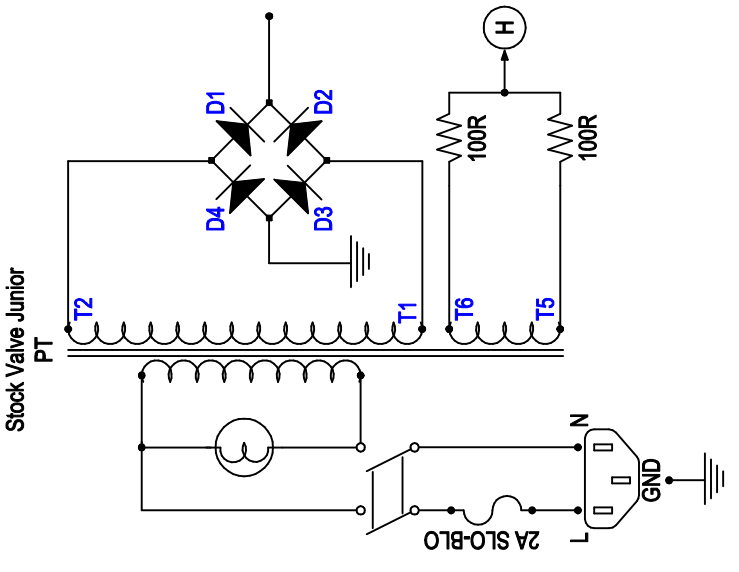
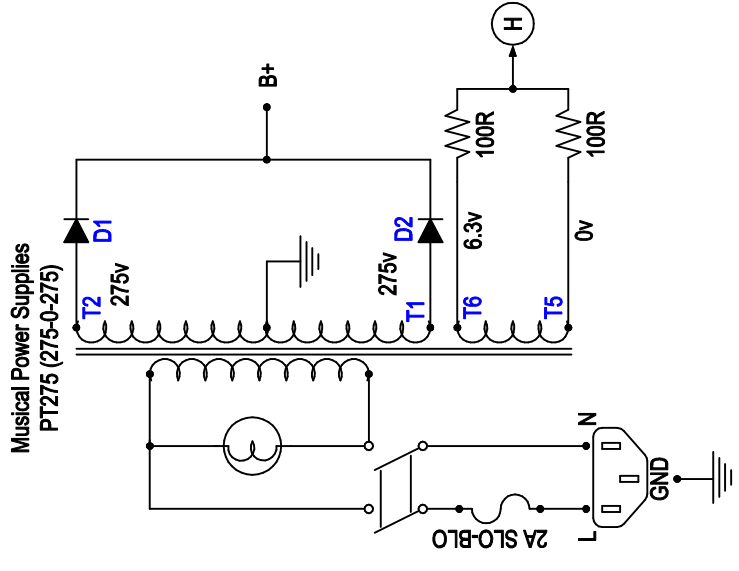
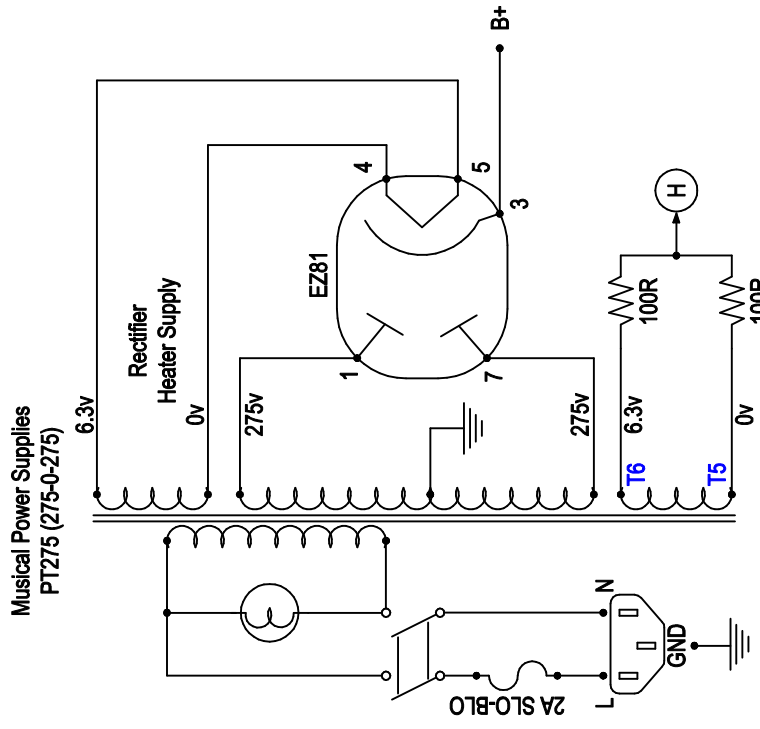
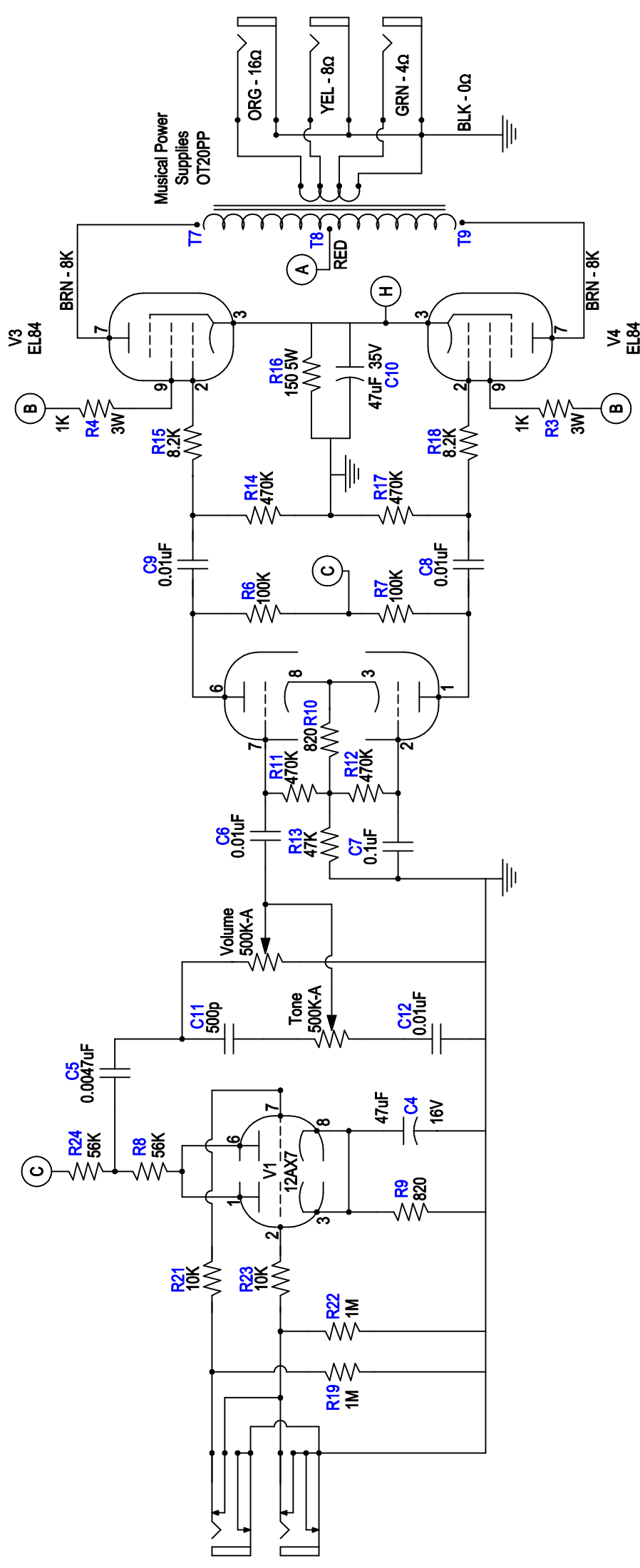


Copyright 2009

Tweaker's Table	
R20	= 150R - Valve Junior PT
R20	= 150R - MPS PT w/ Diodes
R20	= 47R - MPS PT w/ Tube Rect.
C13	= 33uF / 450V
R24	= 100K for more gain (good for Strat)
R8	= Wire Jumper
C4	= 1 - 10uF for brighter tone (cuts bass)
C10	= 1000 - 2200uF to stiffen bass



18 Watt Litellb	
"Baby Will"	
Document Version	5
PCB Version	2.3
Date	23 August 2009
Revised By	Z_Stingray